

A

B

C

D

1

1

2

2

3

3

4

4

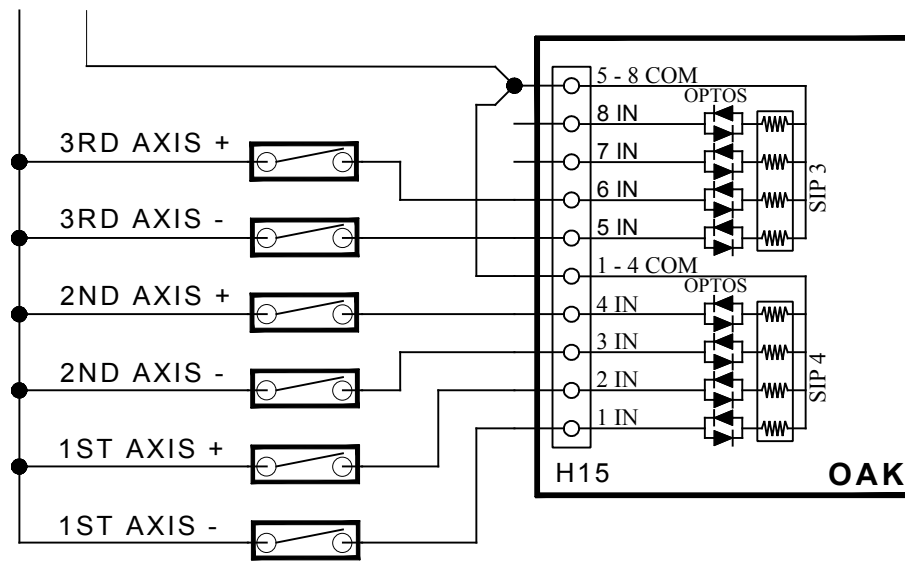
See manual for power connection of inputs

+12VDC Connected to the input commons with the inputs pulled down to 12vdc common is standard

For 5 and 12VDC inputs the power supply for the ALLIN1DC drive can be used

For 24VDC inputs a separate power supply must be used.

POWER FOR LIMIT SWITCH INPUTS



LIMIT SWITCHES
1 POLE 1 THROW
NORMALLY CLOSED

Title		
BOARD LEVEL, OAK, LIMIT SWITCH CIRCUIT		
Size	Number	Rev
A		
Date	150813	Drawn by 391 DRS
File name	OAK LIMIT SWITCH.dwg	Sheet 1 of 1

A

B

C

D