

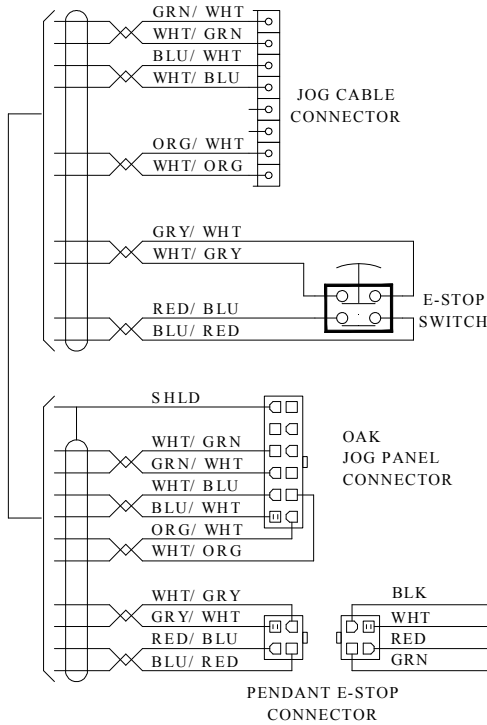
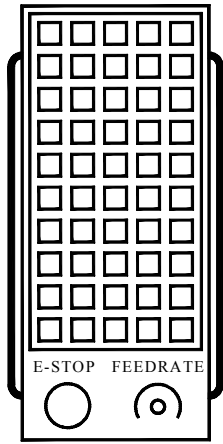
A

B

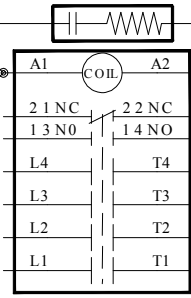
C

D

JOG PENDANT



POWER FOR E-STOP CONTACTOR COIL



E-STOP CONNECTOR

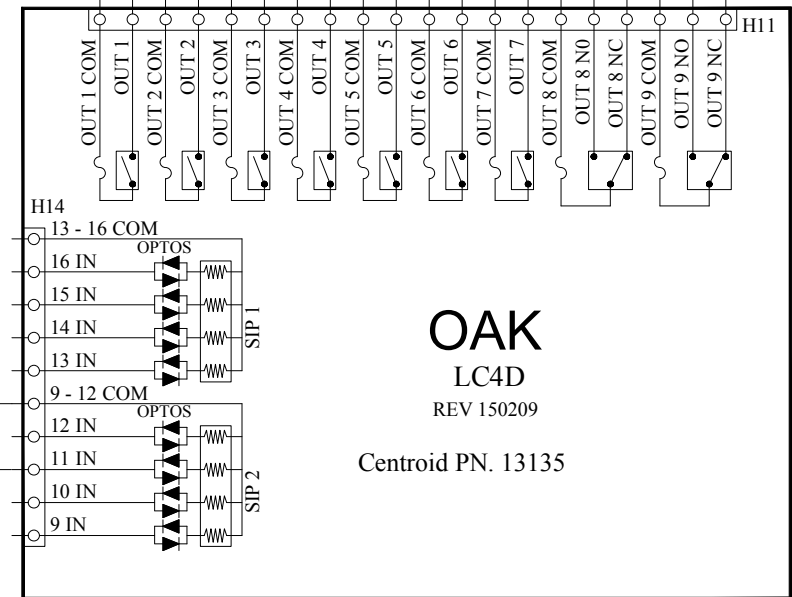
DC POWER FOR E-STOP INPUT

See manual for power connection of inputs

+12VDC Connected to the input commons with the inputs pulled down to 12vdc common is standard

For 5 and 12VDC inputs the power supply for the OAK drive can be used

For 24VDC inputs a separate power supply must be used.



OAK
LC4D
 REV 150209
 Centroid PN. 13135

Title BOARD LEVEL, OAK, JOG PENDANT E-STOP CIRCUIT		
Size A	Number	Rev A
Date 150812	Drawn by 391 DRS	
File name OAK JOG PENDANT.dwg		Sheet 1 of 1

A

B

C

D