

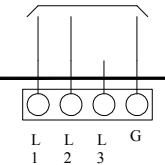
A

B

C

D

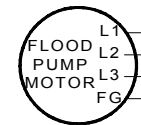
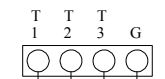
SINGLE PHASE
POWER FOR
FLOOD PUMP



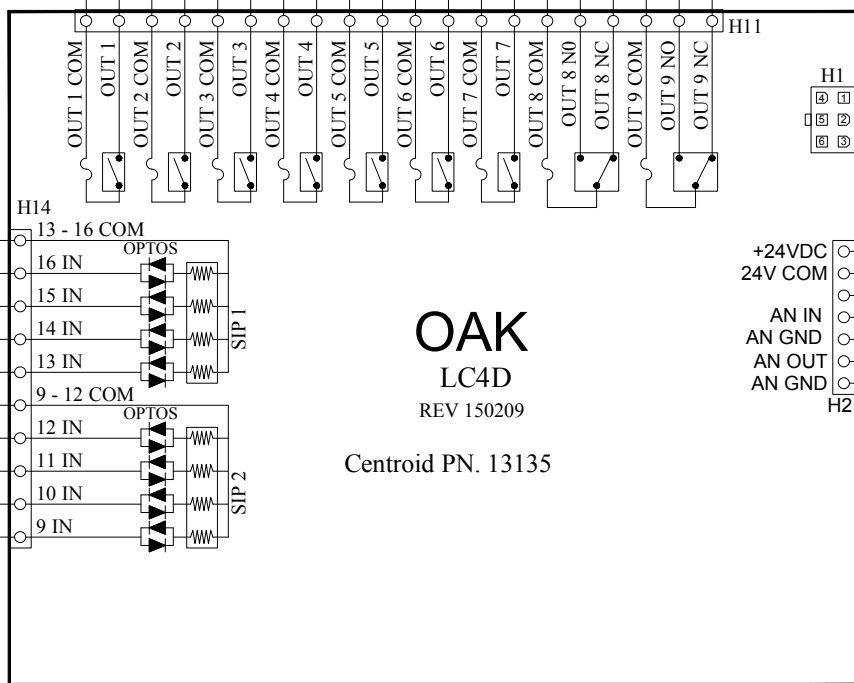
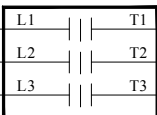
**AUTOMATION
DIRECT**

GS 1

CM = INVERTER INPUT COM
DII = RUN FORWARD



**E-STOP
CONTACTOR**



Title BOARD LEVEL, OAK, SINGLE PHASE TO 3 PHASE, FLOOD PUMP CIRCUIT		
Size A	Number	Rev A
Date 120812	Drawn by 391 DRS	
File name OAK 3-1 PHASE FLOOD	Sheet 1 of 1	

A

B

C

D