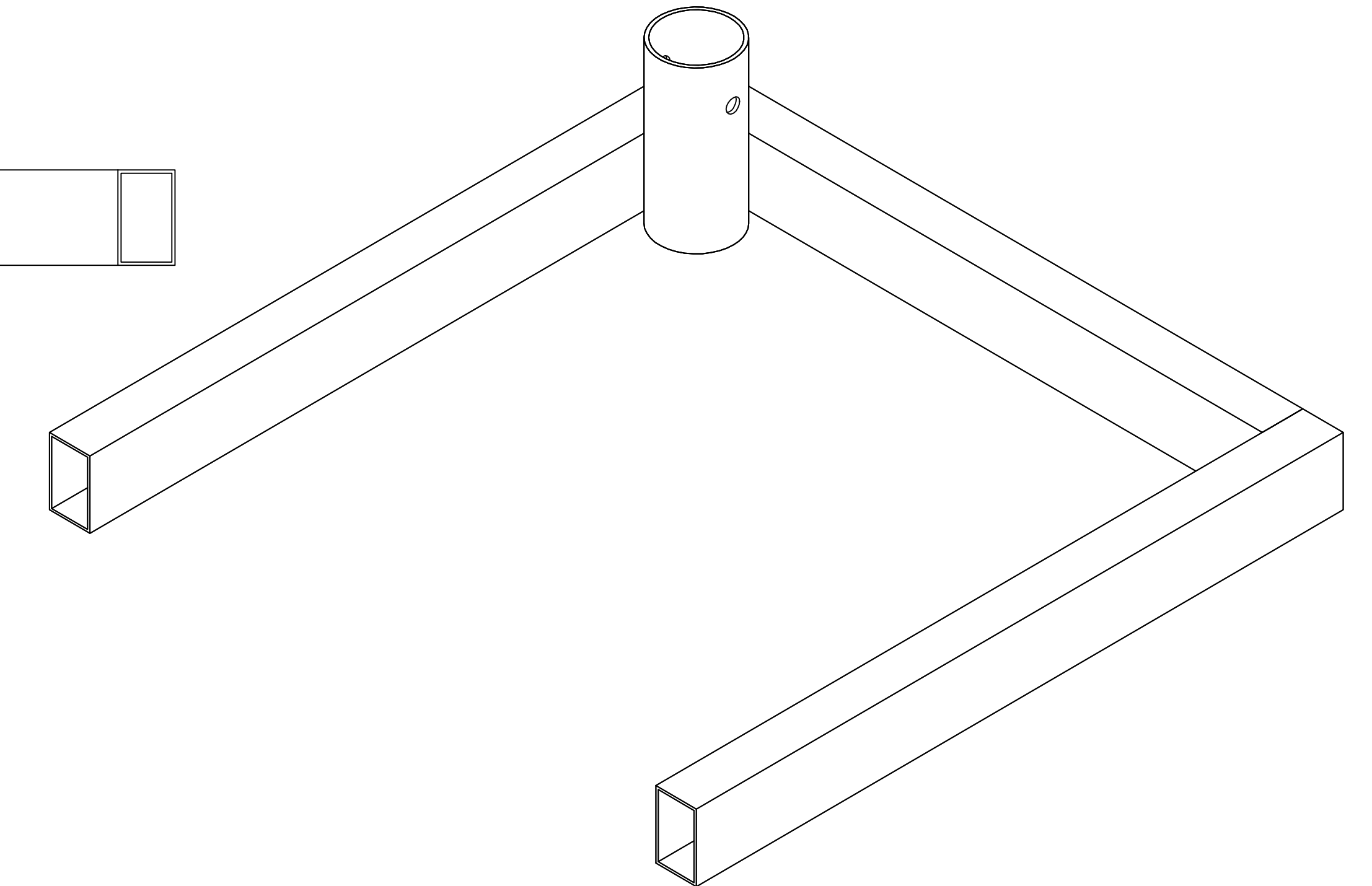
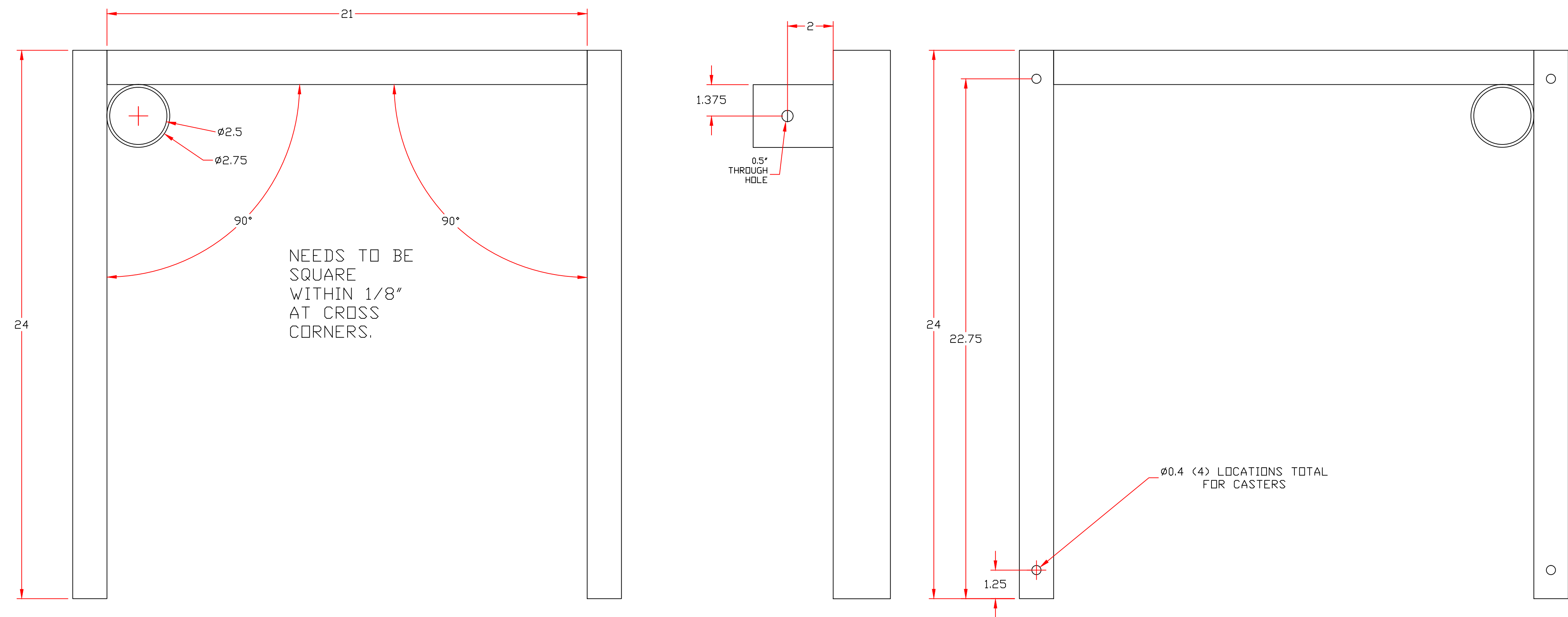


REVISIONS				
ZONE	REV	DESCRIPTION	DATE	APPROVED
NA	A	NEW DRAWING	06/06/05	

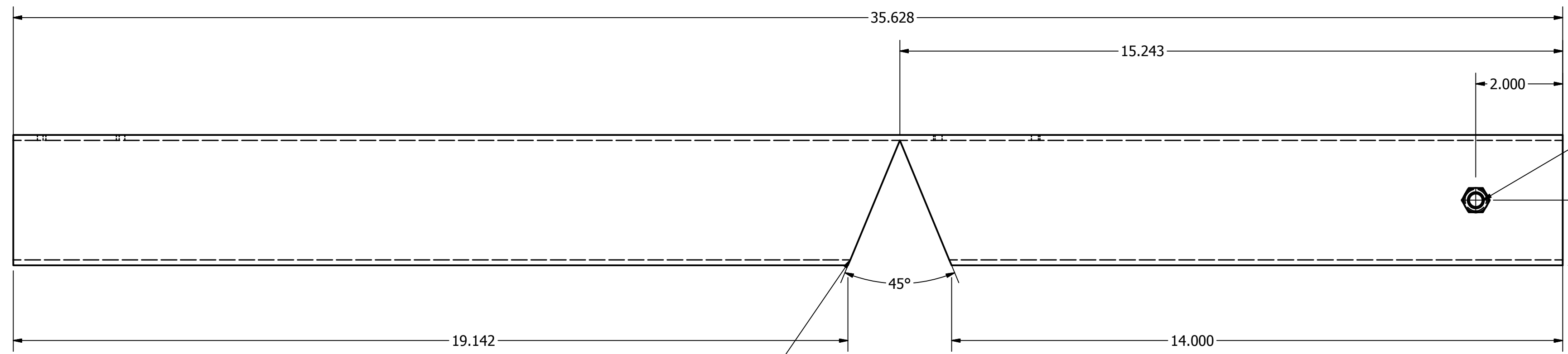
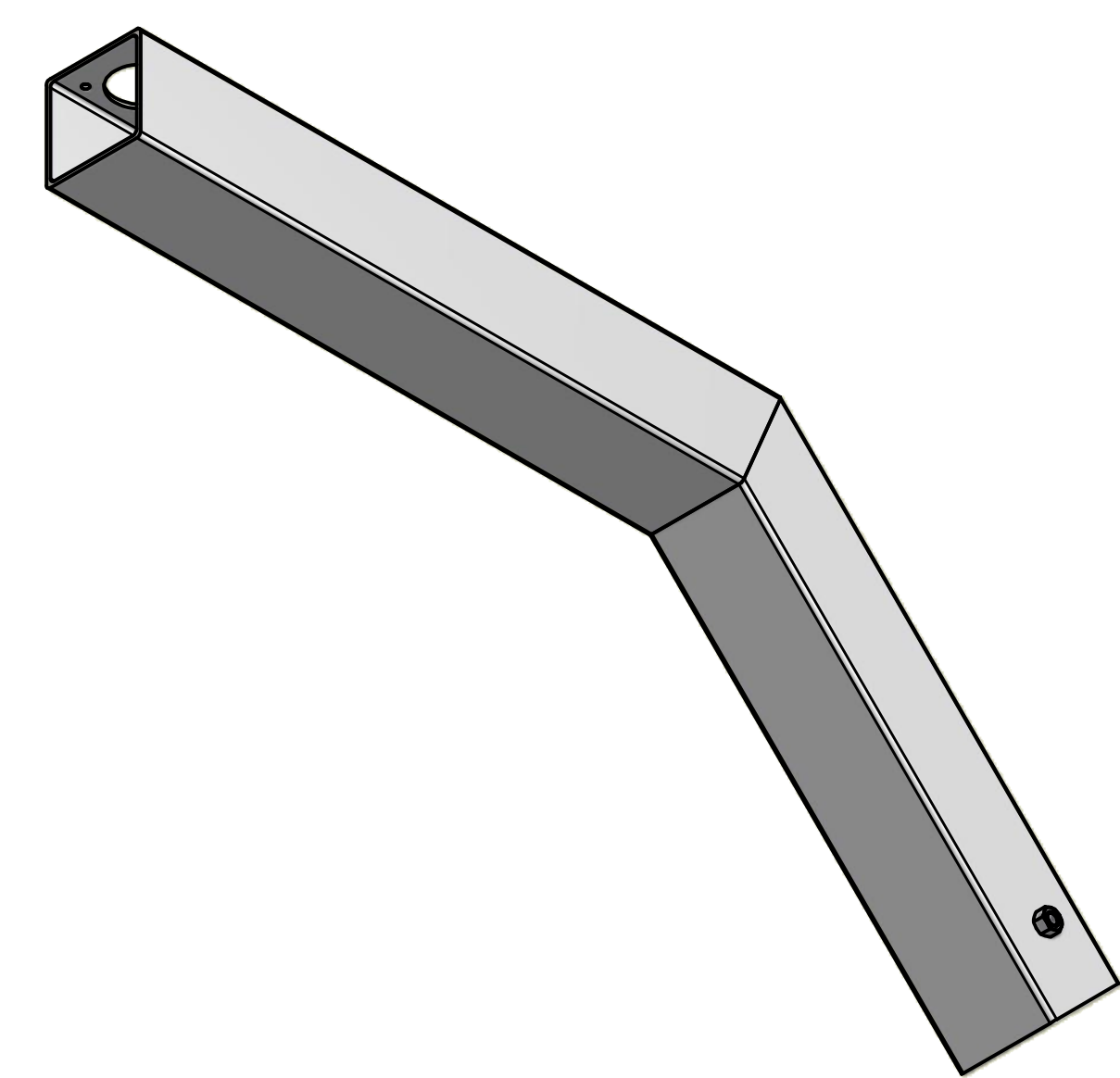
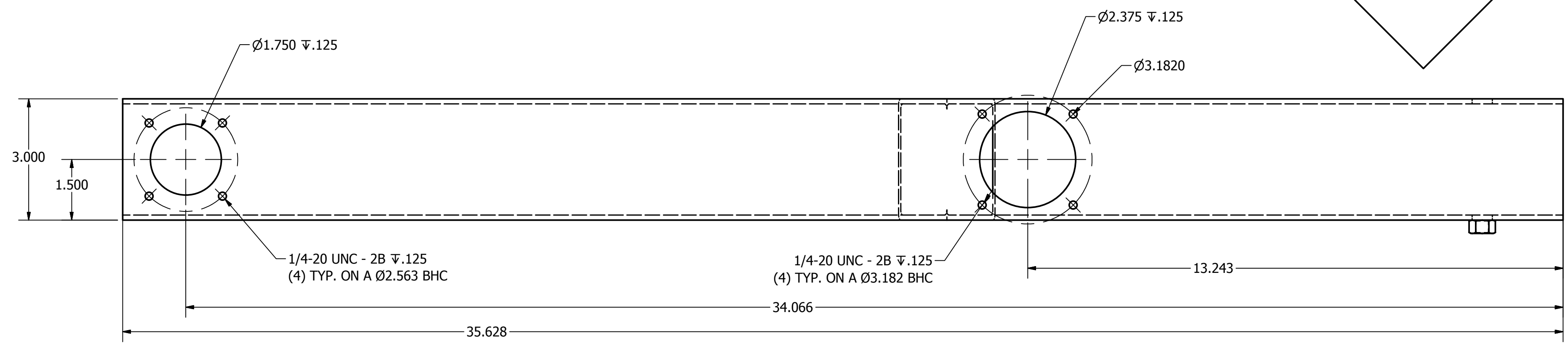
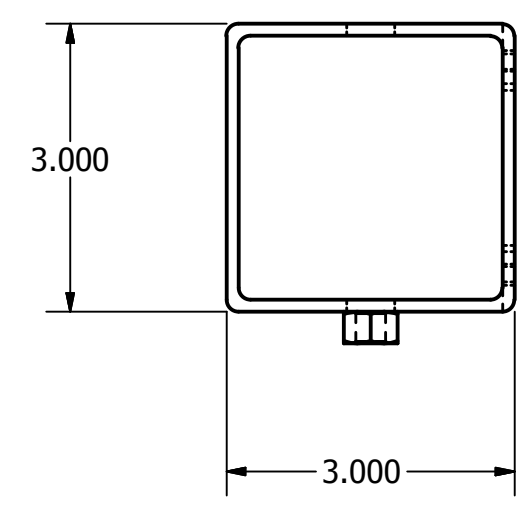
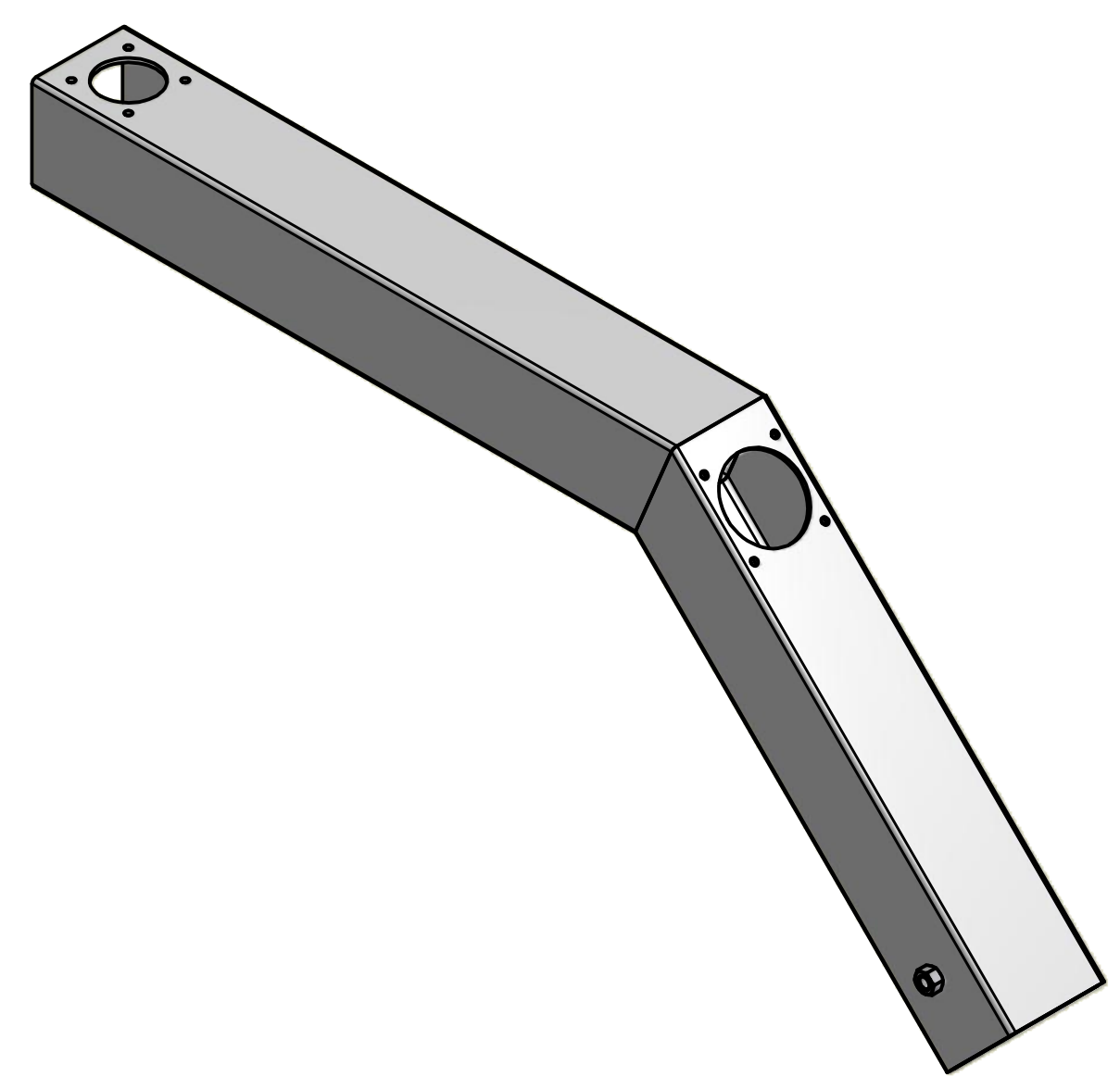
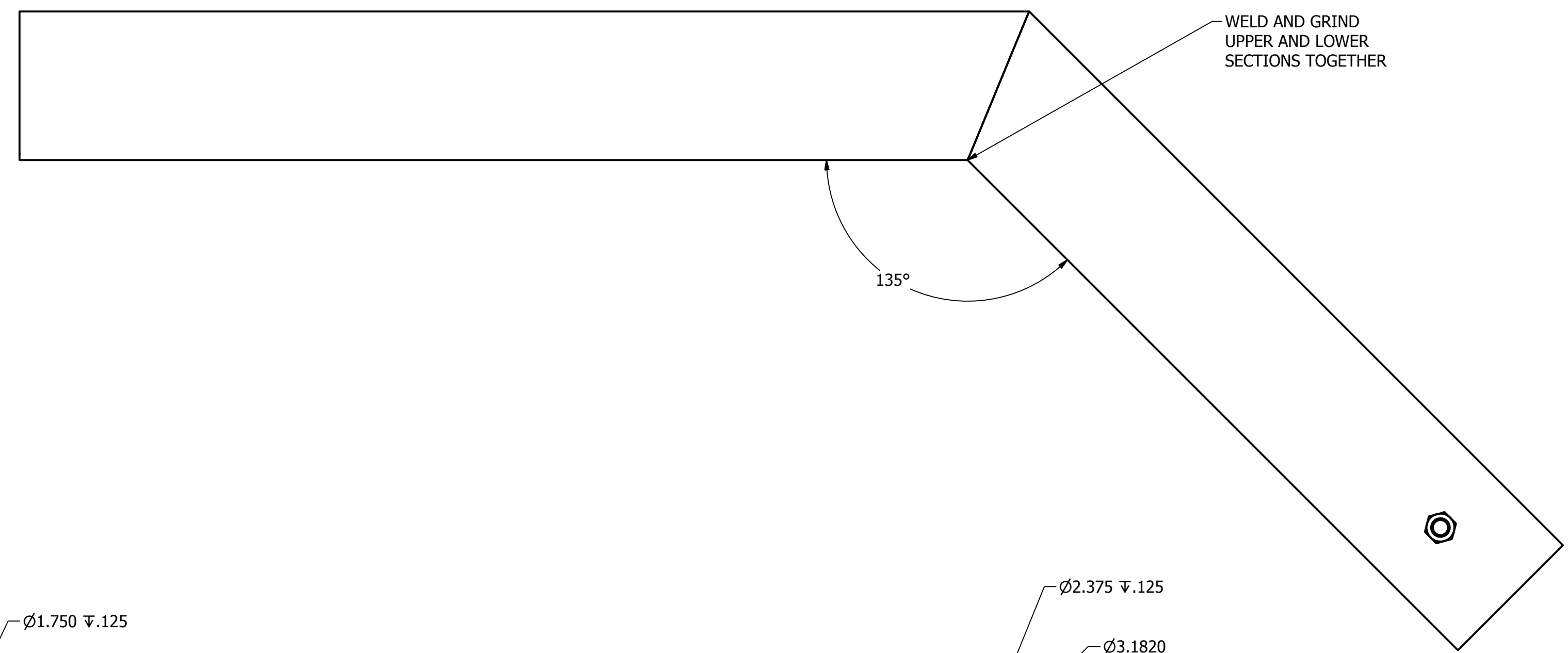
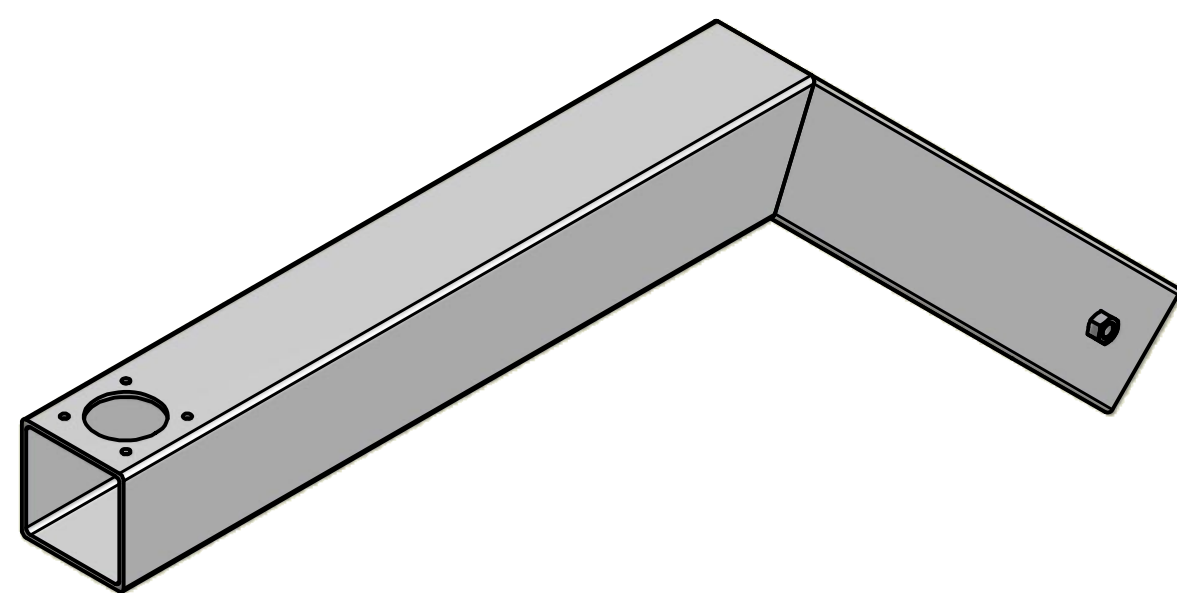


STAND BASE
2.5"X1.5" STEEL TUBING

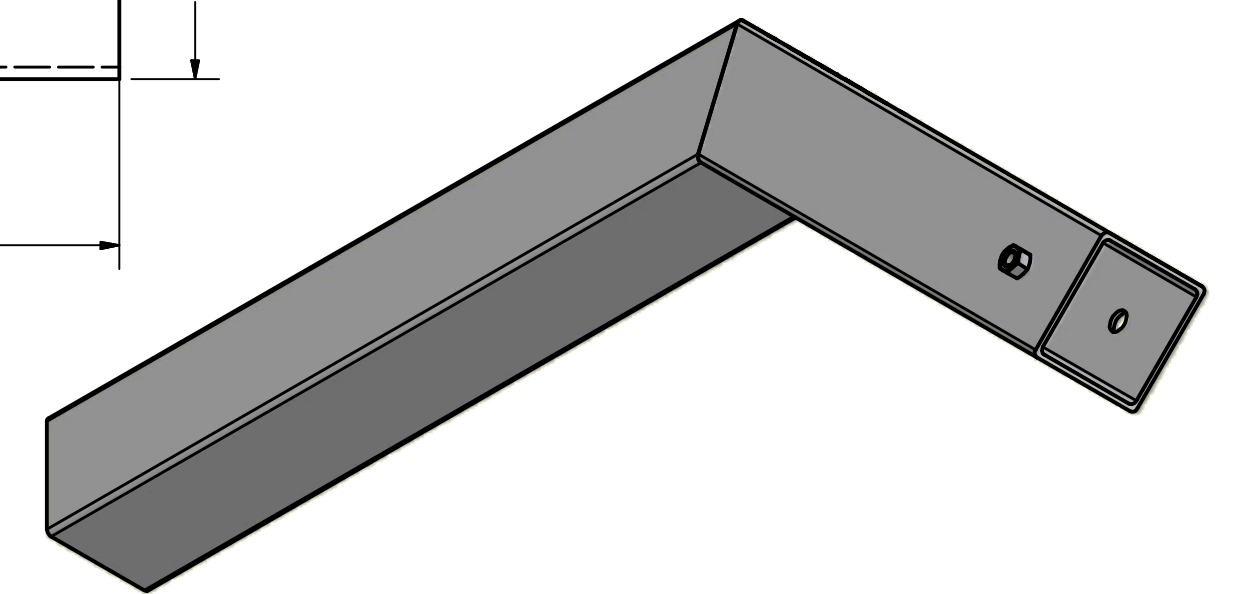
	PROPERTY OF		
	CENTROID CORPORATION		
159 GATES ROAD HOWARD, PENNSYLVANIA 16841		TELE: (814) 353-9290 FAX: (814) 353-9265	
TRW DRAWN:	TITLE: CONSOLE STAND BASE, UNICONSOLE C		SHEET 1 OF 1
CHECKED:	N/A	STEEL, AS LISTED	BLACK POWDER FINISH: COAT
5060	TOLERANCES UNLESS OTHER WISE STATED:	X ± 0.005 XX ± 0.010 XXX ± 0.005	ANGLES: 0.00
PART #:	07-5007	DRAWING #	A

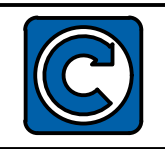
COPYRIGHT CENTROID

DRAWING #: 07-5061
REV: A



DRILL 1/2" HOLE THROUGH
3" SQUARE TUBING
WELD A 3/8"-16 NUT
OVER INSIDE HOLE



 CENTROID CORPORATION TEL: (814)353-9290 FAX: (814)353-9265 WWW.CENTROIDCNC.COM			
DRAWN: WAP	TITLE: RISER COLUMN, CONSOLE STAND	SHEET #: 1 OF 1	
APPROVED:	ASSEMBLY: CONSOLE FLOOR STAND	MATERIAL: 3"x3" .125" THICK STEEL TUBE	FINISH: BLACK POLANE
TOLERANCES: X ± 0.025 0' ± 30'	XX ± 0.010 0.0' ± 3'	XXX ± 0.005	XXXX ± 0.0005
PRODUCT: CONSOLE FLOOR STAND DRAWING #: 07-5061			REV: A