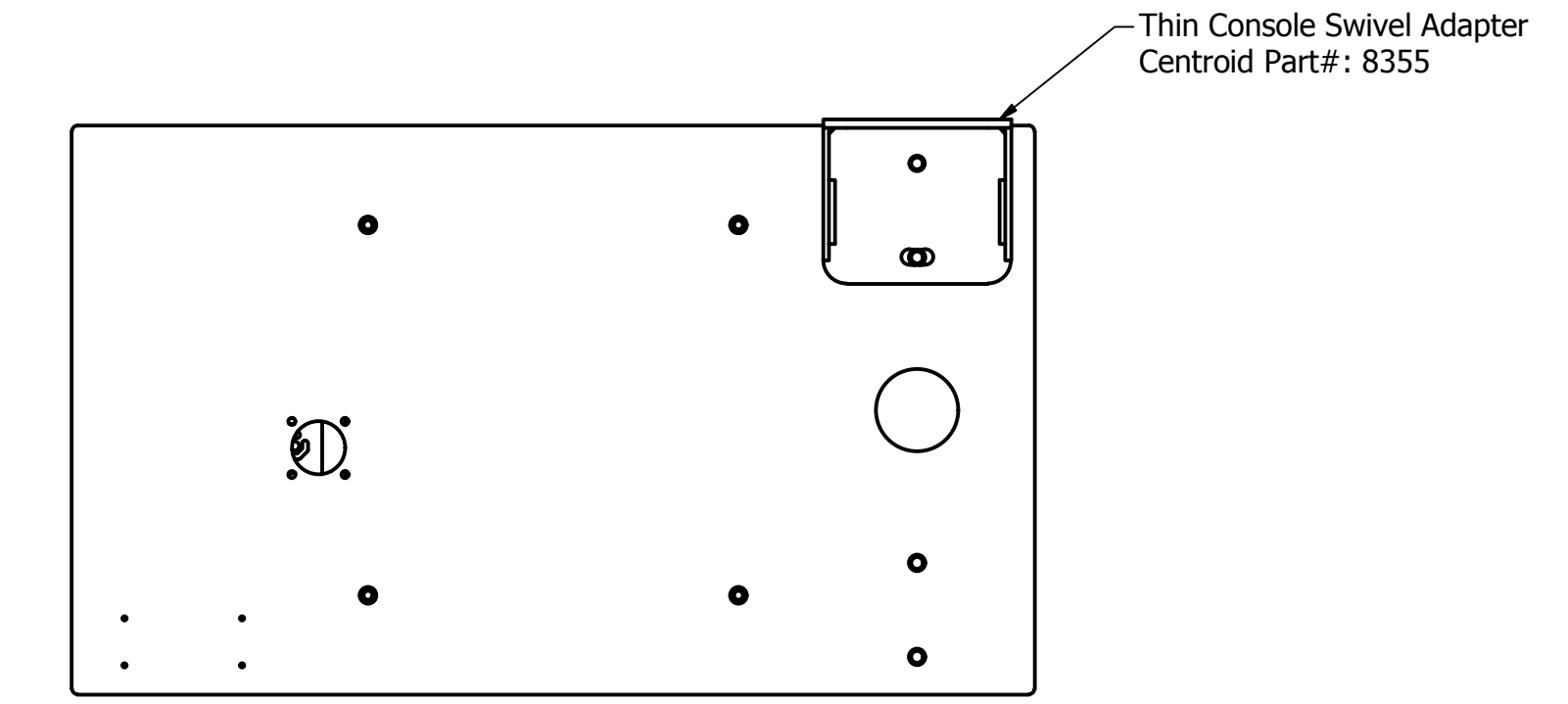
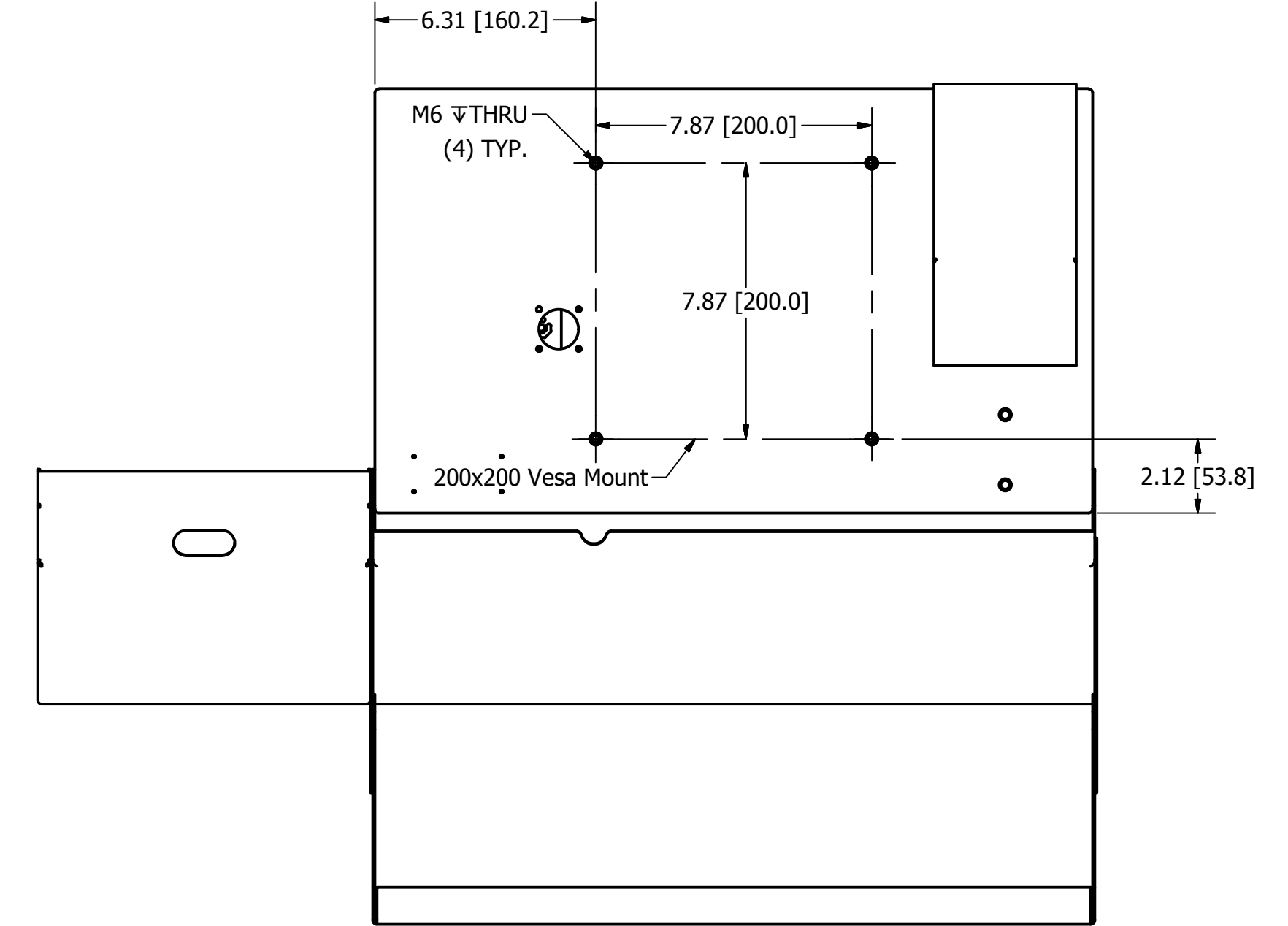
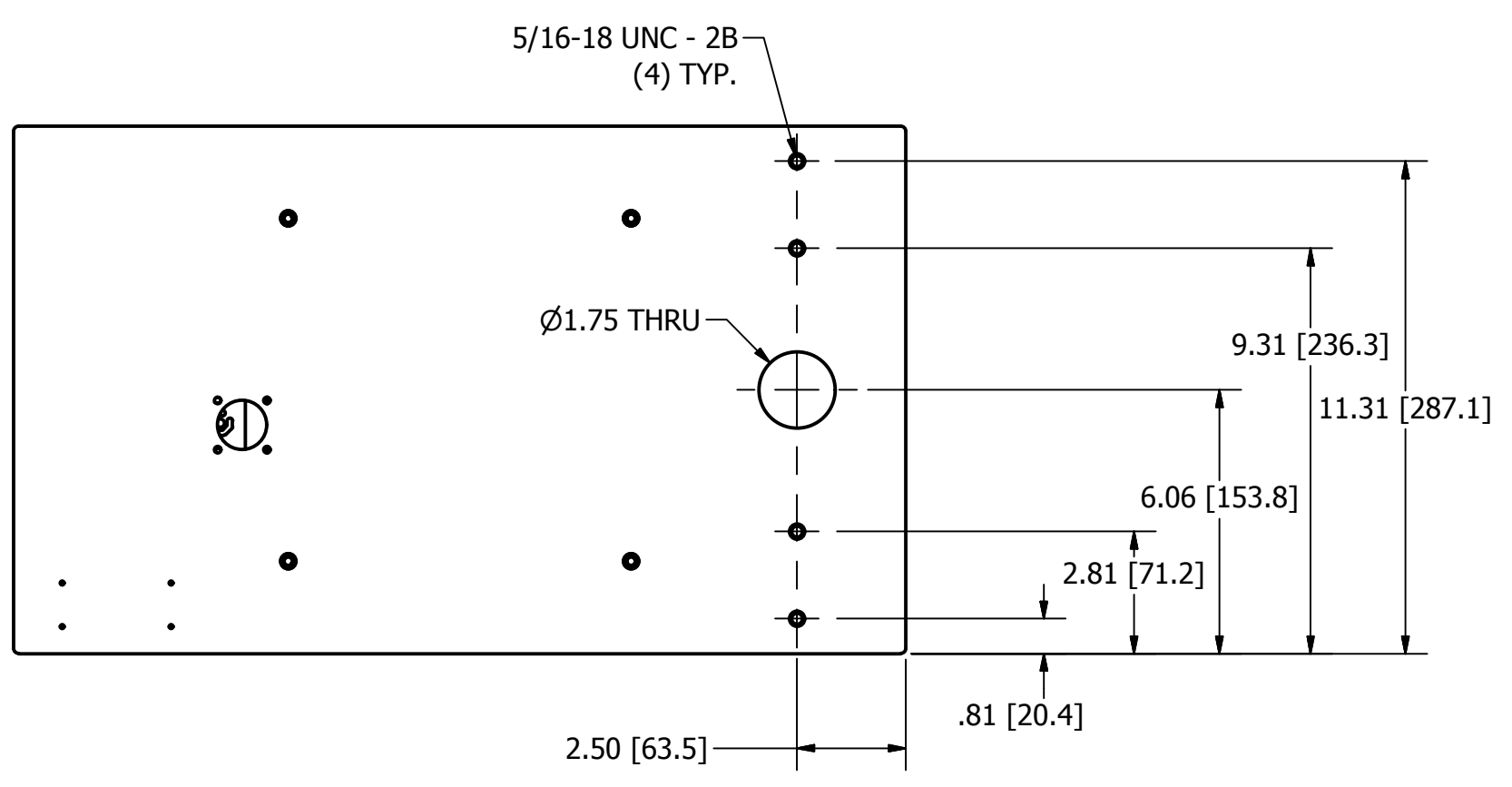
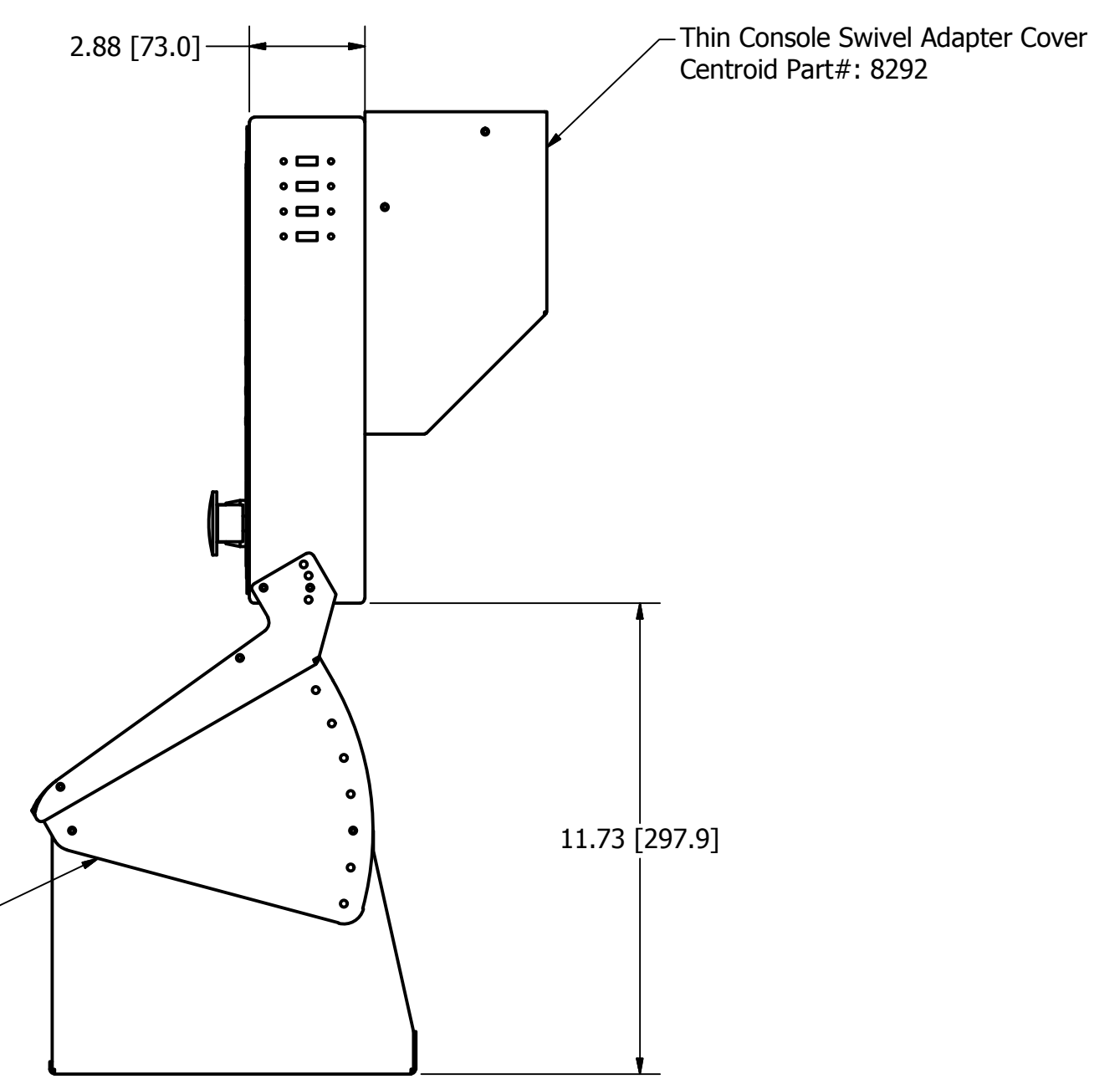
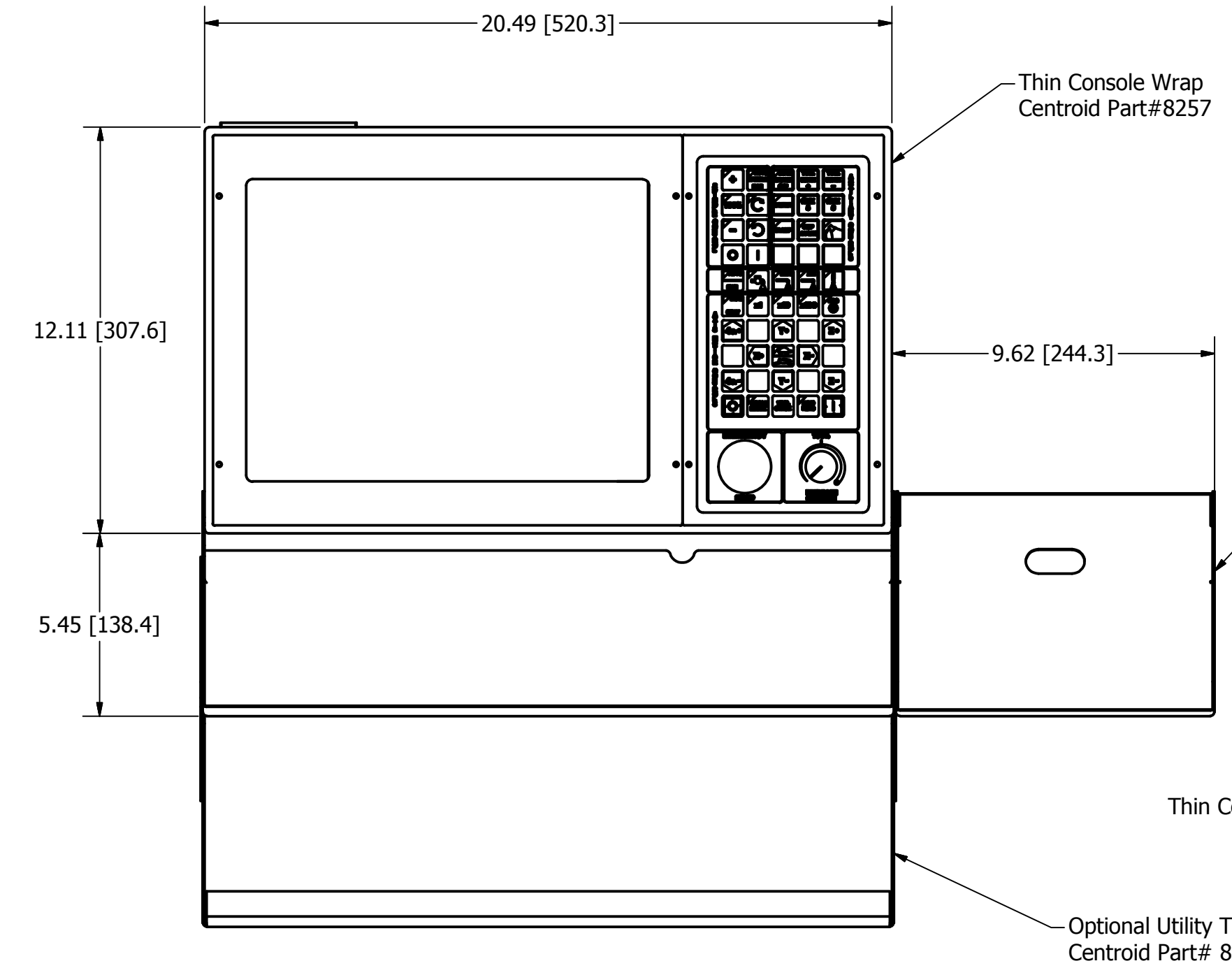
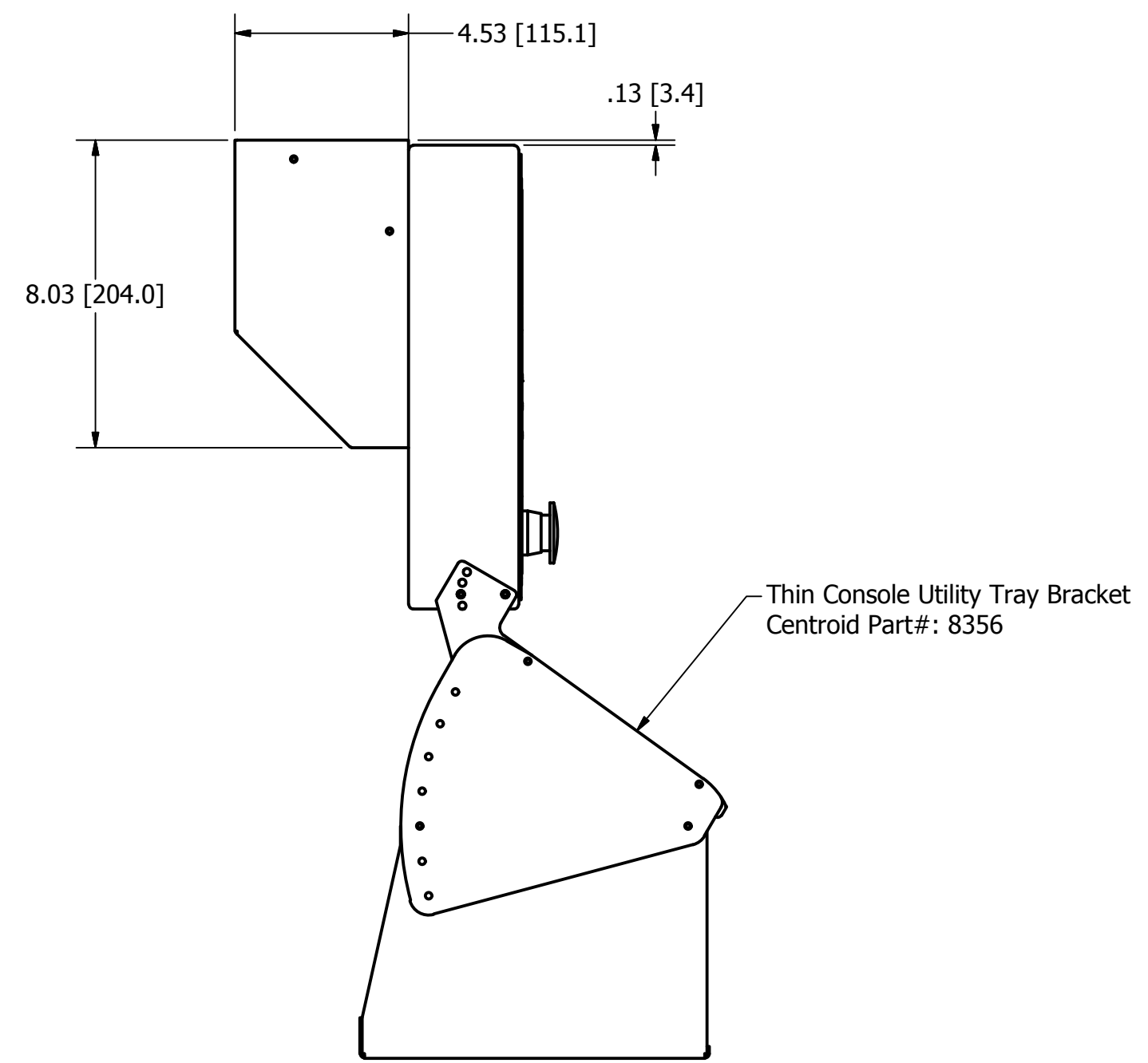
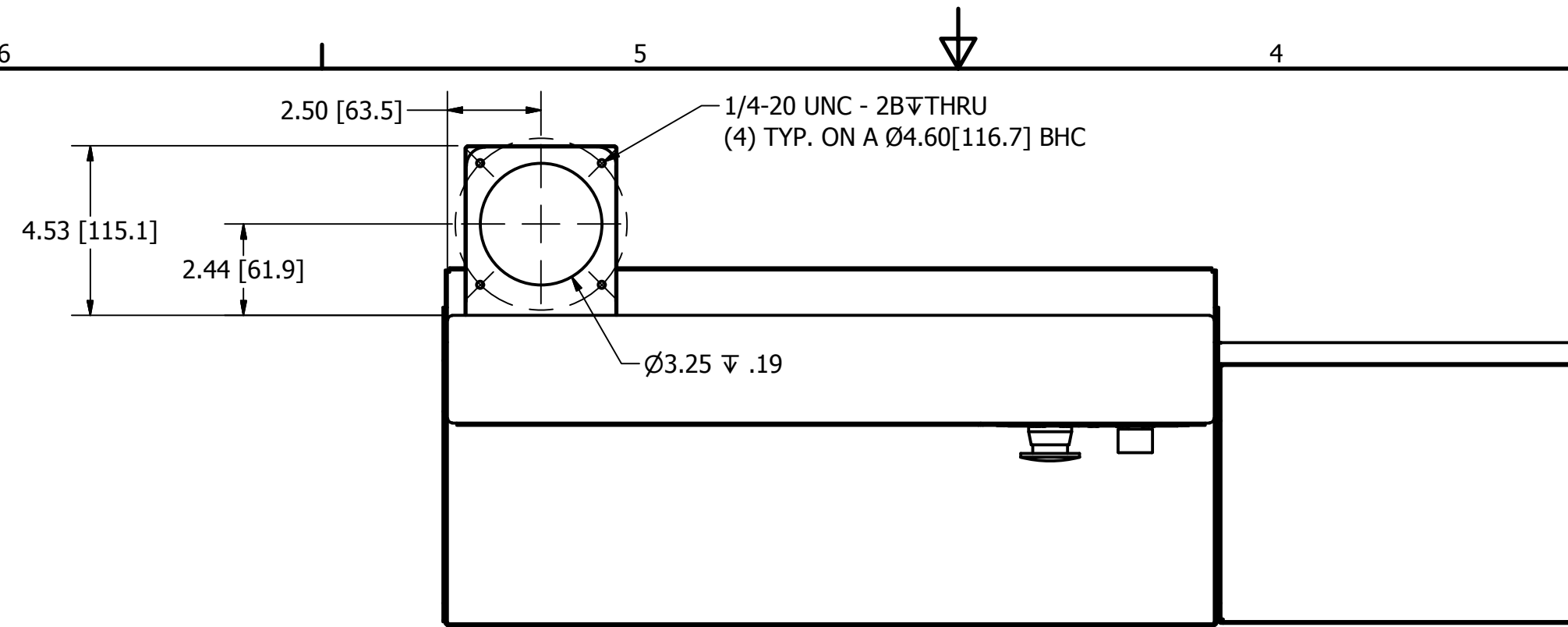


DRAWING #: D00537

REV: A

REVISION HISTORY				
ZONE	REV	DESCRIPTION	DATE	APPROVED
	A	INITIAL RELEASE	6/25/15	WAP



TOLERANCES:

X	± 0.025	0' ± 30'
XX	± 0.010	0.0' ± 3'
XXX	± 0.005	
XXXX	± 0.0005	

PROPRIETARY AND CONFIDENTIAL
 THE INFORMATION CONTAINED IN THIS DOCUMENT IS THE SOLE PROPERTY OF CENTROID CORPORATION. ANY REPRODUCTION AS A WHOLE OR IN PART WITHOUT THE EXPRESS WRITTEN PERMISSION OF CENTROID CORPORATION IS STRICTLY FORBIDDEN.



THIRD ANGLE PROJECTION			
ASSEMBLY: THIN CONSOLE		FINISH: ""	
PRODUCT: THIN CONSOLE		BARCODE:	PART #:
DRAWN: WAP	APPROVED: WAP	DRAWING #: D00537	REV: A
SIZE: D	WEIGHT: N/A	SCALE:	SHEET #: 1 OF 1